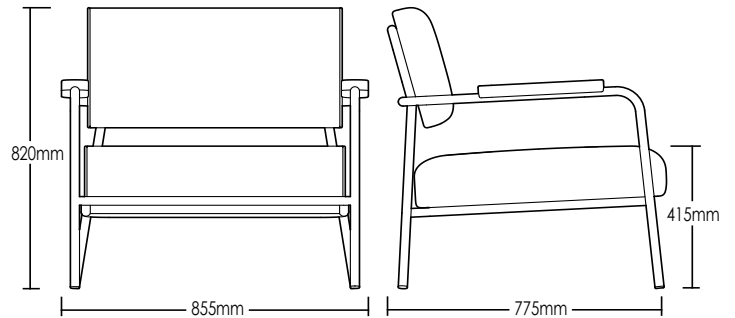


BYRON LOUNGE



DETAILS -

ORIGIN	Made and assembled in Sydney, Australia
WARRANTY	12 Months structural warranty - excluding fair wear and tear, mishandling and vandalism
DIMENSIONS	855 W x 775 D x 820 H mm
SEAT HEIGHT	415 H mm



MATERIALS -

UPHOLSTERY A variety of house fabrics and leathers are available. Material requests are able to be specified and quoted.

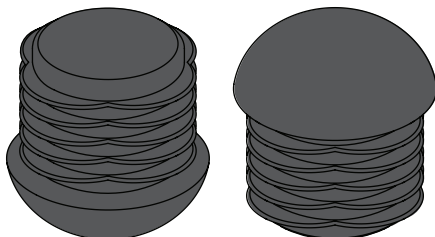
AGED BRASS / POWDERCOAT Finish requests are able to be specified and quoted.

CARE & MAINTENANCE -

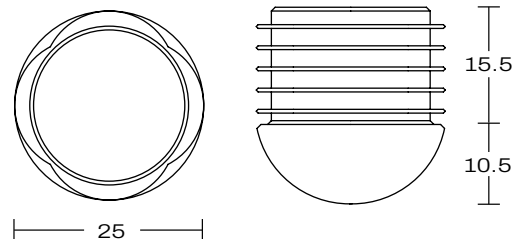


Also available at: <https://www.contempoco.com.au/downloads>

FOOT GLIDE



[RBiR-2394]



CUSTOM OPTIONS

Please contact info@contempoco.com.au or (02) 9820 6111 for enquiries.